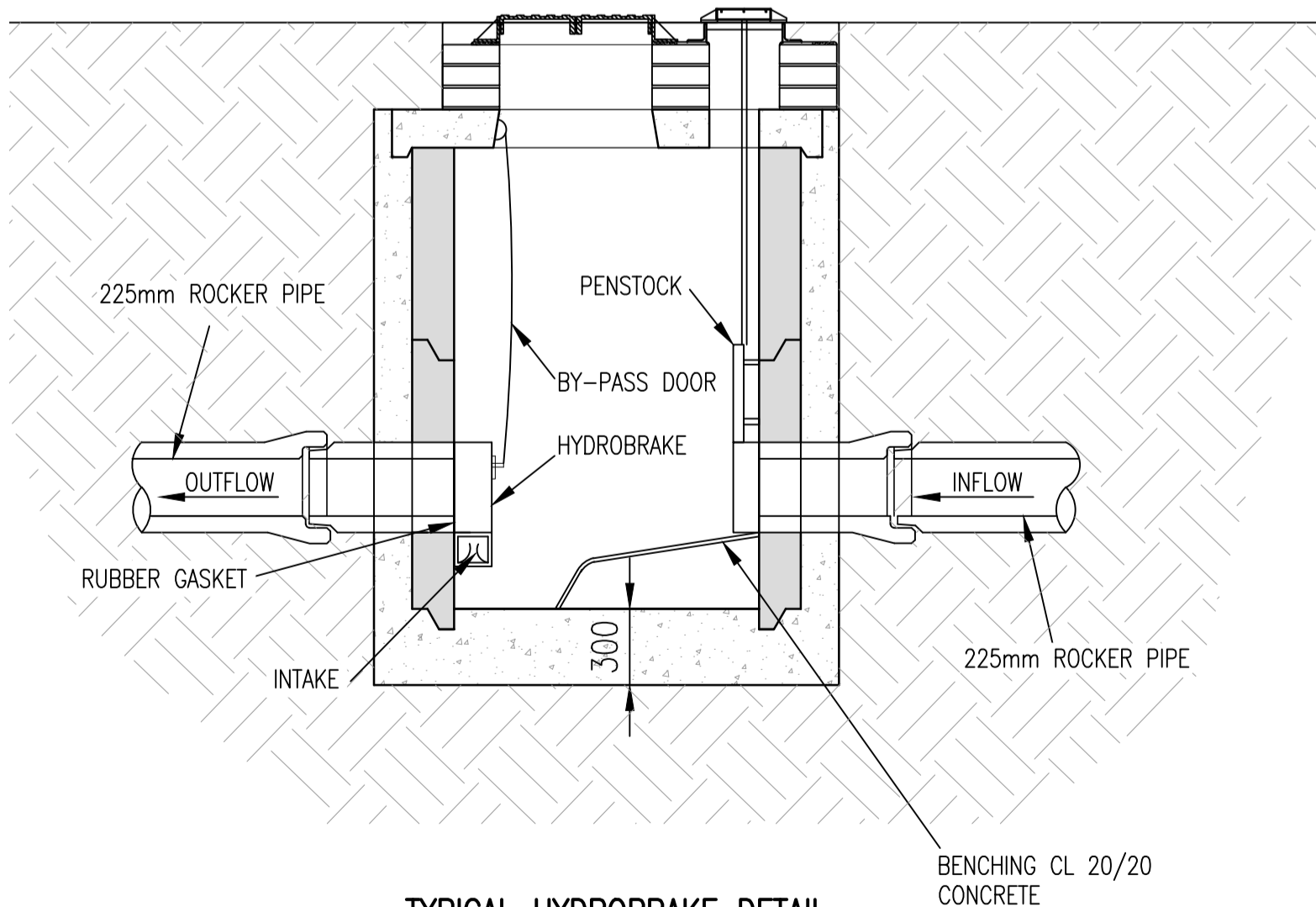
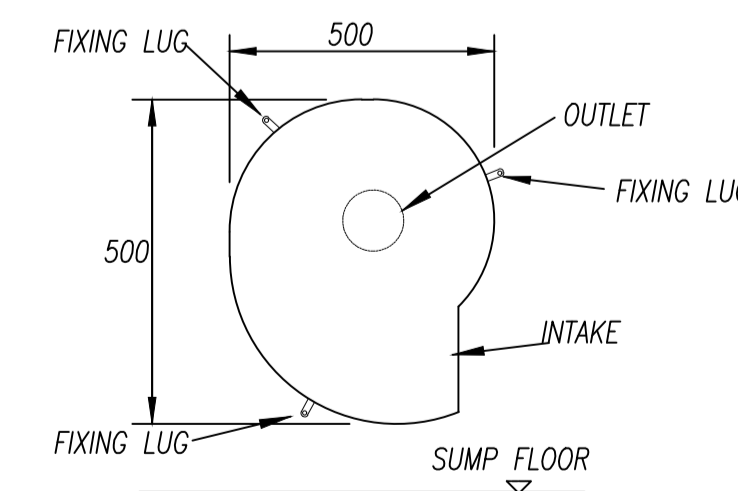


PLAN VIEW
SCALE 1:200 @A1

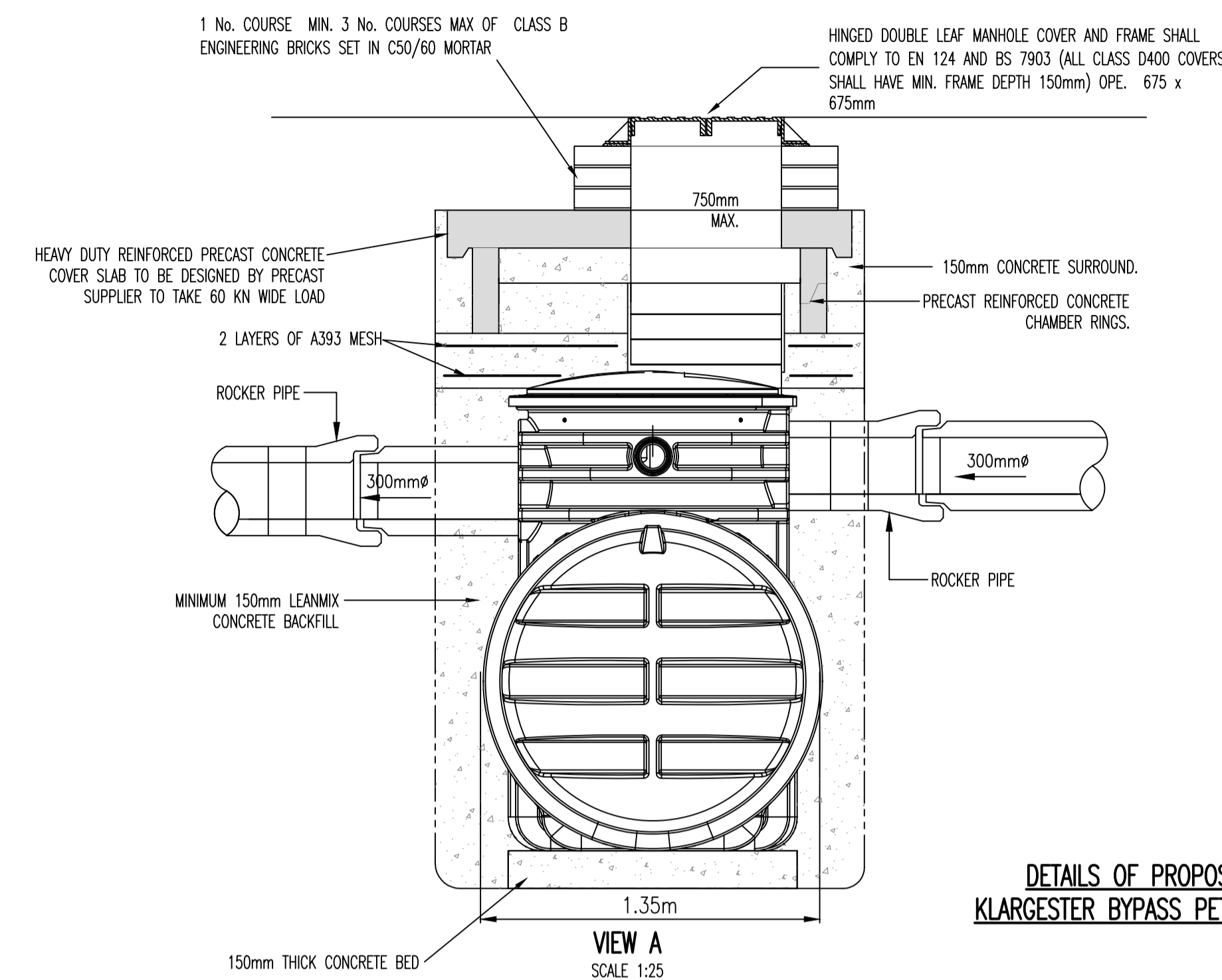


TYPICAL HYDROBRAKE DETAIL
SCALE 1:25

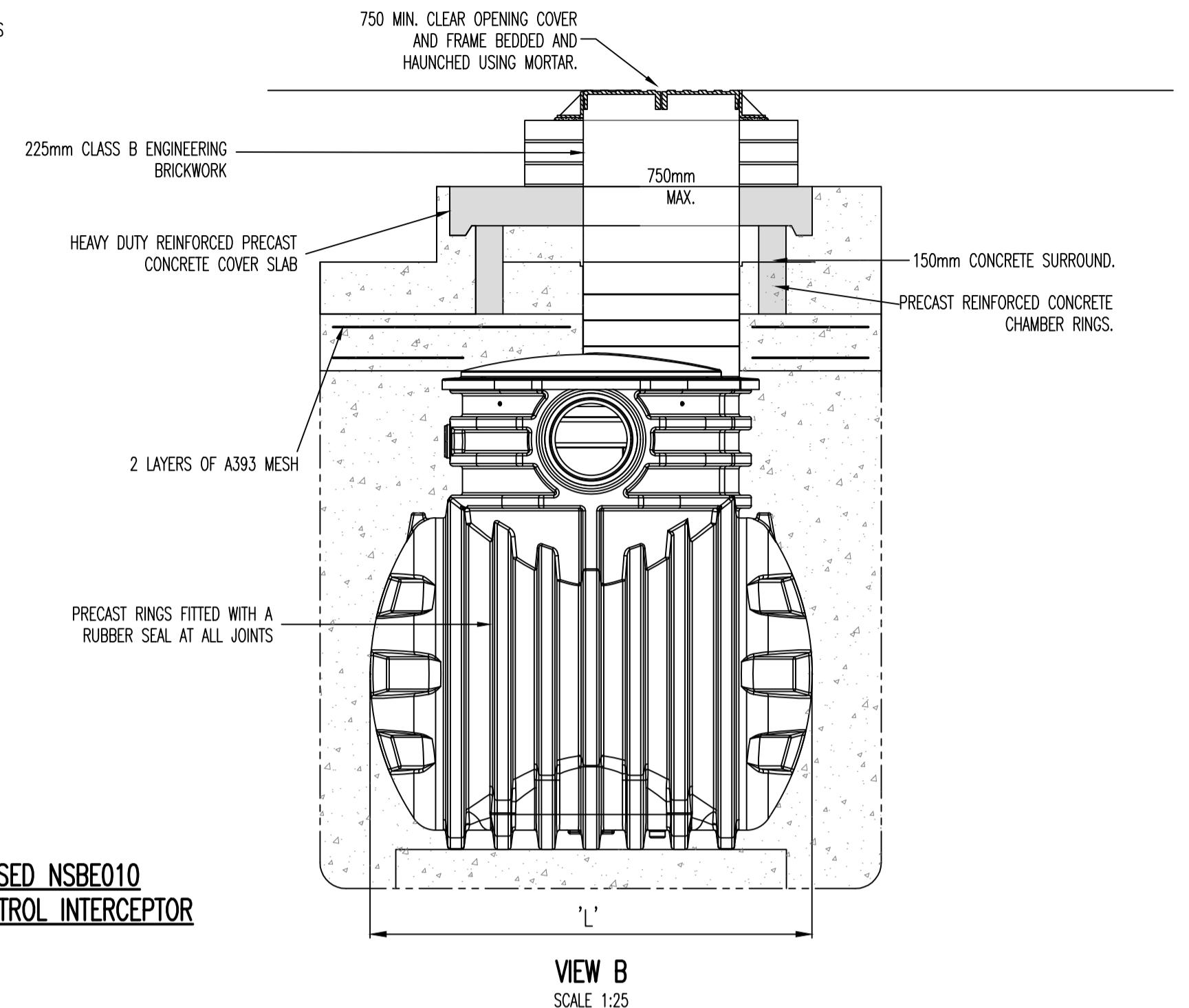
NOTE: FOR FURTHER DETAILS ON MANHOLE CONSTRUCTION
PLEASE REFER TO DRAWING 18-014-P027 FOR DETAILS



HYDRO BRAKE DETAIL
N.T.S



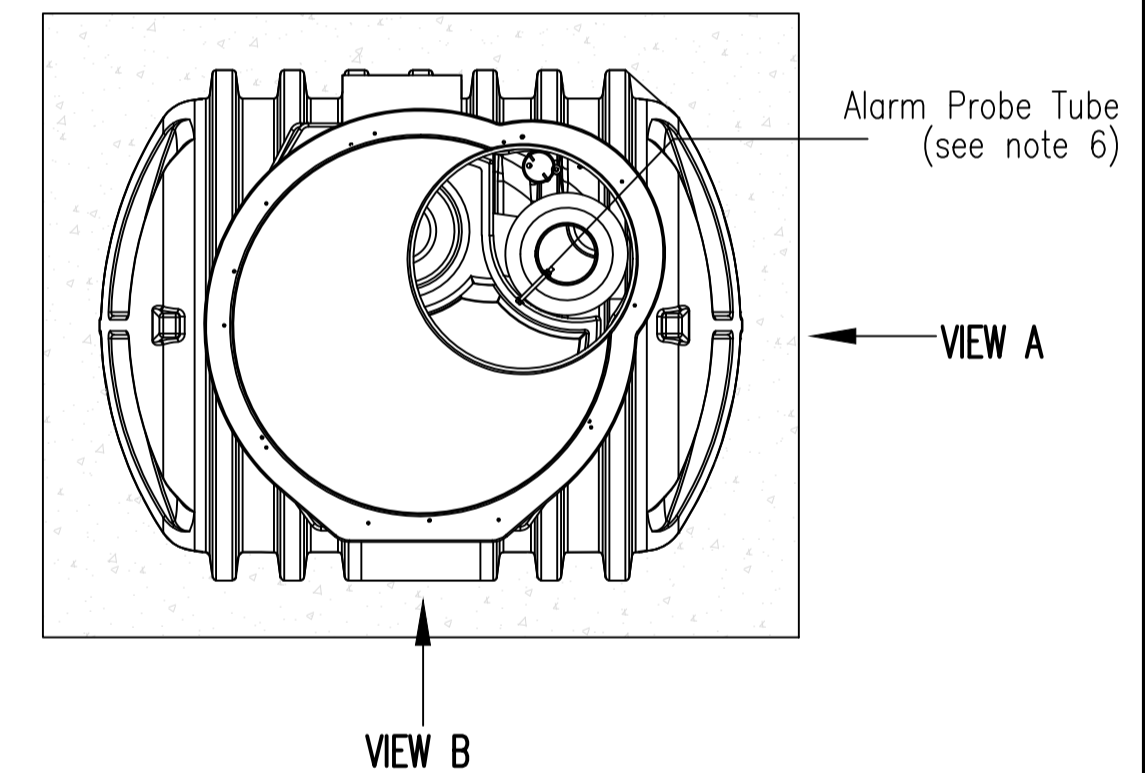
DETAILS OF PROPOSED NSBE010
KLARGESTIER BYPASS PETROL INTERCEPTOR



| Outlet Size 'B' | Inlet Size 'A' | Fall across unit | Approx Empty Weight (kgs) | Dim L (mm) | Nominal Flow | Peak Flow | Unit Ref No |
|-----------------|----------------|------------------|---------------------------|------------|--------------|-----------|-------------|
| Ø300 mm | Ø300 mm | 100 | 180 | 2069 | 10 L/s | 100 L/s | NSBE010 |

Notes:-

- Inlet/Outlet pipes are plain pipe standard EN 858 states minimum connection sizes, units ordered with different sized connections are not fully compliant with the standard.
- Extension necks for deeper inverts can be provided. These can be cut in 200 mm sections. Max 2.0m Invert recommended. Please ask our sales department for further details.
- All units require appropriate cover and frame to suit applied loadings.
- This drawing should be used for dimensional information only. It is essential that this drawing is read in conjunction with the installation guidelines from the supplier. 76 mm tube (internal) is supplied to house an oil alarm probe.
- Wet site conditions - Concrete Backfill Dry site conditions - Pea Shingle Backfill
- A Ø 76 mm tube (internal) is supplied to house an oil alarm probe.



NOTES:

- DO NOT SCALE. USE FIGURED DIMENSIONS ONLY.
- THIS DRAWING IS TO BE READ IN CONJUNCTION WITH ALL OTHER RELEVANT ARCHITECTURAL AND ENGINEERING DRAWINGS.

| REV. | DATE | AMENDMENT | DRN | APPD |
|------|------|-----------|-----|------|
| | | | | |

STATUS **FOR PLANNING ONLY
NOT FOR CONSTRUCTION**

Waterman Moylan
Engineering Consultants
BLOCK 5, EASTPOINT BUSINESS PARK, ALFIE BYRNE ROAD,
DUBLIN D03 H3F4 IRELAND. Tel: (01) 664 8900
Email: info@waterman-moylan.ie www.waterman-moylan.ie

CLIENT **TRAILFORD LTD**
ARCHITECT **NDBA ARCHITECTS**

PROJECT
**PROPOSED RESIDENTIAL DEVELOPMENT,
RATHMULLAN,
DROGHEDA**

TITLE
**TYPICAL HYDROBRAKE AND
PETROL INTERCEPTOR DETAILS**

| DRAWN | DESIGNED | APPROVED | DATE |
|--------------|----------|----------|----------|
| G.Byrne | B.W. | J.G. | AUG. '19 |
| SCALE | JOB NO. | DRG. NO. | REVISION |
| AS SHOWN @A1 | 18-014 | P030 | |